

“Stay Connected” with



Solar Power Components

a PennEngineering® Company



Heyco®-Tite Solar Masthead® II Liquid Tight Cordgrips

Multi-Hole, NPT Hubs with Integral Sealing Ring - IP 68 Rated
 The Ultimate in Liquid Tight Strain Relief Protection
 Small Packs Available

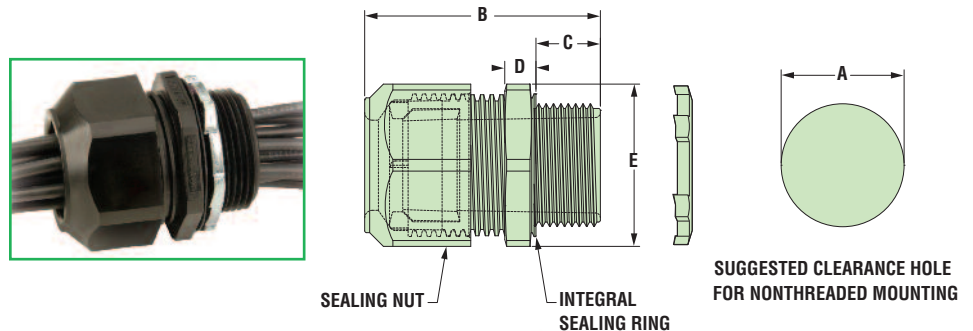
GLAND CONFIGURATION Conductors Size mm.	PART NO. Black	DESCRIPTION with NPT Thread	PACKAGING		UL/CS or cULus	PART DIMENSIONS										
			Std. Pack	Small Pack †		A Clearance Hole Dia.		B Max. O.A. Length		C Thread Length		D Wrenching Nut Thickness		E Flat Size		
						in.	mm.	in.	mm.	in.	mm.	in.	mm.	in.	mm.	
5,5	5	M3234GBR-SM	SMCG 3/4	100	25	UL/CS	1.040	26,4	2.00	50,8	.62	15,7	.25	6,4	1.30	33,0
	9	M8437GBK-SM	SMCG 1	100	25	UL/CS	1.326	33,8	2.41	61,2	.76	19,3	.30	7,6	1.73	43,9
	13	M4524GBM-SM	SMCG 1-1/4	50	10	UL/CS	1.680	42,7	2.69	68,3	.78	19,8	.30	7,6	2.05	52,1
	21	M3317GBQ-SM	SMCG 1-1/2	50	5	UL/CS	1.920	48,8	2.81	71,3	.76	19,3	.36	9,1	2.46	62,5
	31	M3321GBY-SM	SMCG 2	50	5	UL/CS	2.400	60,8	2.93	74,3	.79	20,1	.42	10,7	2.73	69,3
5,6	3	M3200GAH-SM	SMCG LL 1/2	200	25	UL/CS	.875	22,2	1.68	42,7	.44	11,2	.25	6,4	1.06	26,9
7,7	3	M3234GBS-SM	SMCG 3/4	100	25	UL/CS	1.040	26,4	2.00	50,8	.62	15,7	.25	6,4	1.30	33,0
	5	M8437GBT-SM	SMCG 1	100	25	UL/CS	1.326	33,8	2.41	61,2	.76	19,3	.30	7,6	1.73	43,9
	9	M4524GBW-SM	SMCG 1-1/4	50	10	UL/CS	1.680	42,7	2.69	68,3	.78	19,8	.30	7,6	2.05	52,1
	11	M3317GBZ-SM	SMCG 1-1/2	50	5	UL/CS	1.920	48,8	2.81	71,3	.76	19,3	.36	9,1	2.46	62,5
	19	M3321GBX-SM	SMCG 2	50	5	UL/CS	2.400	60,8	2.93	74,3	.79	20,1	.42	10,7	2.73	69,3
8,9	7	M4524GCJ-SM	SMCG 1-1/4	50	10	UL/CS	1.680	42,7	2.69	68,3	.78	19,8	.30	7,6	2.05	52,1
	9	M3317GCK-SM	SMCG 1-1/2	50	5	UL/CS	1.920	48,8	2.81	71,3	.76	19,3	.36	9,1	2.46	62,5
	12	M3321GCM-SM	SMCG 2	50	5	UL/CS	2.400	60,8	2.93	74,3	.79	20,1	.42	10,7	2.73	69,3

*AWG 10 and 12 for both USE-2 and PV Cable.

**For 8 AWG USE-2 Wire.

† To order **Small Packs**, please add the suffix **-P** to Part No.; e.g., M3234GBR-SM-P.

- **Break-Thru Skinned-Over glands** in the Solar Masthead II Cordgrips offer flexibility to use from 1 to 31 of the available holes while still providing a liquid tight seal around the wire.
- **IP 68 rated.**
- Approved for **NEMA 4, 4X, 6 and 6P** applications.
- **Integral Sealing Ring** ensures a superior seal at the clearance or threaded mounting hole location, every time.
- Provide a watertight seal for PV module output leads to inverters.
- Designed for solar rooftop or combiner box installations.
- Secure input PV leads from solar panel array strings to fuse holder hookup within solar combiner boxes.
- Suitable for use with USE-2 and PV Cable.
- UV resistant nylon construction with TPE Sealing Gland resists salt water, weak acids, gasoline, alcohol, oil, grease, and common solvents.
- No disassembly required for installation.
- Generous wrenching flats for ease of assembly.
- **Solar Masthead II Cordgrips provided with assembled metal locknut.**
- Contact Heyco for other sizes and gland configurations.



See page 3-7 for details

Use a Heyco-Flex I Conduit Adapter to join a Heyco Solar Masthead to Heyco-Flex I or Rigid PVC Conduit, through which the solar installer can run PV wire from the roof to the field level inverter.

Material	Nylon 6/6 with TPE Sealing Glands
Certifications	<ul style="list-style-type: none"> UL Listed under Underwriters' Laboratories File E51579 cULus Recognized under the Component Program of Underwriters' Laboratories File E51579 to both Canadian and U.S. requirements CS Certified by the Canadian Standards Association File 93876
Flammability Rating	94-V2
Temperature Range	Static -40°F (-40°C) to 239°F (115°C) Dynamic -4°F (-20°C) to 212°F (100°C)
IP Rating	IP 68