

“Stay Connected” with



Solar Power Components

a PennEngineering® Company

HEYClip™ MaxRunner® Cable Clip Arrays

Clip Mount or Flush Mount with Screws*, accommodates up to **12 Cables**

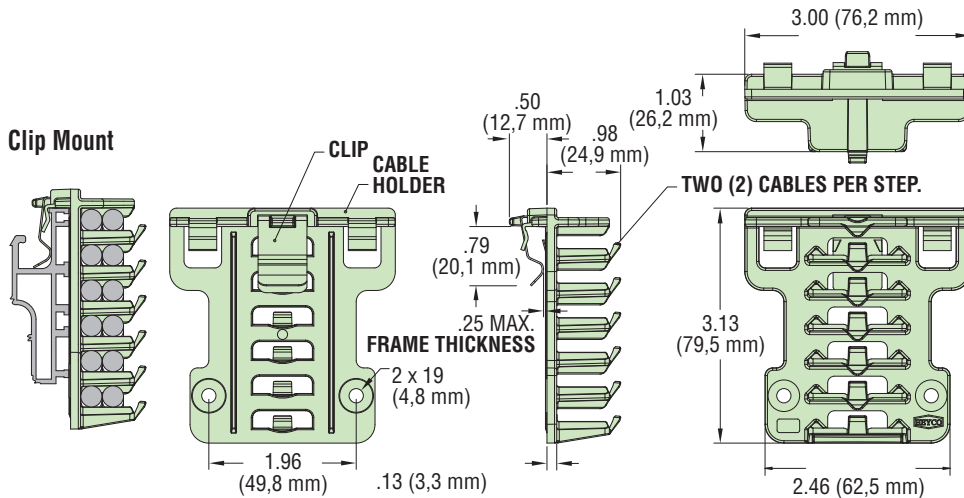
PANEL THICKNESS CLAMPING RANGE				WIRE DIA. RANGE		PART NO.	DESCRIPTION	FOOTPRINT		OVERALL HEIGHT	
Minimum	Maximum	Minimum	Maximum	Maximum (12) Wires	in.			mm.	in.	mm.	
.06	1,5	.25	6,4	.20 - .28	5,2 - 7,2	S6403	MaxRunner 12 Clip Mount	3.00 x 3.13	76,2 - 79,5	.98	24,9
Flush Mount											
N/A: designed for flat mount				.20 - .28	5,2 - 7,2	S6433	MaxRunner 12 Flush Mount	3.00 x 3.13	76,2 - 79,5	1.00	25,4

*Screws not included

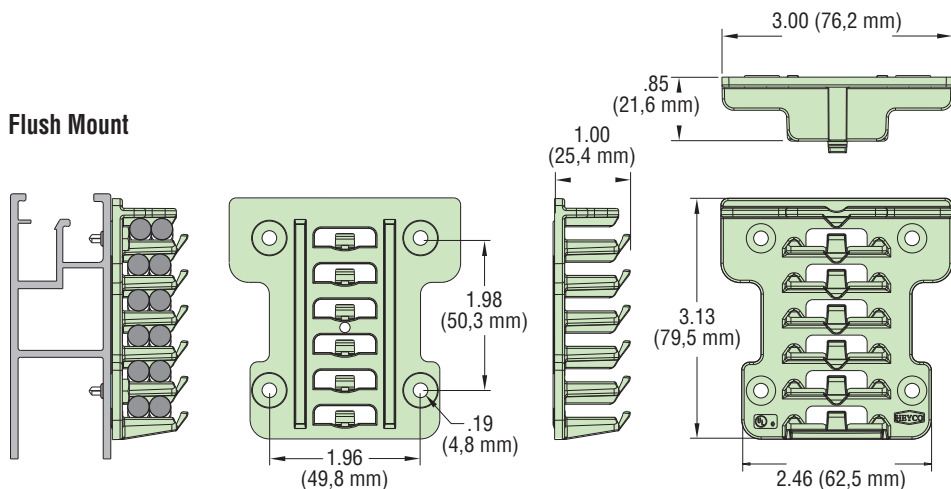


- Hold up to 12 cables with wire diameters ranging from .20" (5,2 mm) to .28" (7,2 mm).
- Patent Pending design is the ultimate in solar wire management.
- Molded internal locking tabs securely hold the cables in place **preventing side-to-side movement or slippage** of the cables.
- Constructed from PPE+PS flame retardant "Noryl" material with a **V-0 flame rating** and a **UV (f1) rating** for excellent resistance to outdoor exposure.
- **Clip Mount** features a versatile, 301 stainless steel mounting clip.
- Clip is designed to secure the holder to a wide variety of aluminum extruded mounting rails of various profiles with thicknesses up to .250" (6,4 mm).
- **Flush Mount** designed to mount on flat panels or extrusions without mounting ledges.
- Easily attaches to any flat surface with four mounting screws.
- Recommended spacing is 4 feet.
- Load Rating not to exceed 15 lbs.
- US Patent No. 8950712B2

Clip Mount



Flush Mount



Materials
Certifications



PPE & PS Noryl (Clipmount includes a 301 stainless steel mounting clip)
Certified by UL for Compliance with both Canadian and U.S. requirements under File E54523

Flammability Rating
Temperature Range

94V-0
-40°F (-40°C) to 203°F (95°C)

Quick
Specs